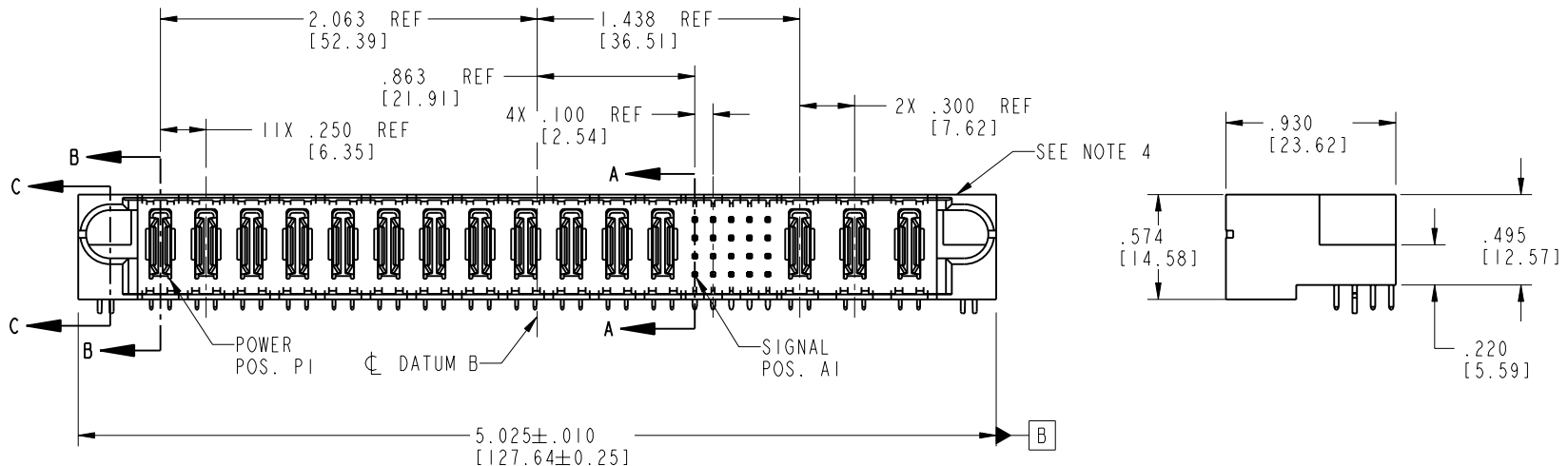
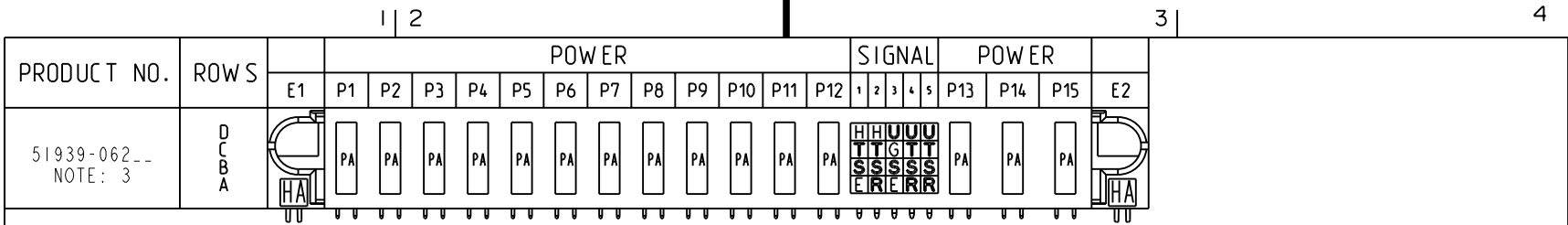


Tous droits strictement réservés. Reproduction ou communication o des liens interdite sous quelque forme que ce soit sans autorisation écrite du propriétaire. Propriété de c FCI. Droits de reproduction FCI.

All rights strictly reserved. Reproduction or issue to third parties in any form whenever is not permitted without written authority from the proprietor. Property of FCI. Copyright FCI.



CODE	DIM "M" MATING LENGTH	CONTACT TYPE
T	.270 [6.86]	SIGNAL
S	.270 [6.86]	SIGNAL
R	.270 [6.86]	SIGNAL
U	.270 [6.86]	SIGNAL
PA	N/A [N/A]	POWER
HA	N/A [N/A]	HOLD-DOWN
H	.220 [5.59]	SIGNAL
E	.220 [5.59]	SIGNAL
G	.220 [5.59]	SIGNAL

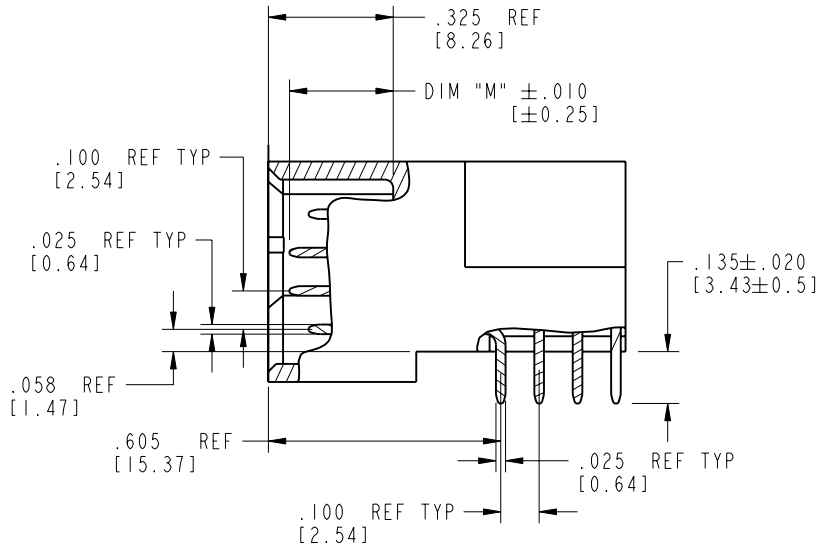
mat'l code				SEE NOTE 2		tolerances unless otherwise specified		CUSTOMER		 www.fciconnect.com	
ltr	ecn no.	dr	date	linear	.XX±.01/0.X±0.3		COPY		title		
A	V03-0527	MEM	5/7/03		.XXX±.005/0.XXX±0.13		projection		12P + 20S + 3ACP		
B	V03-0713	MEM	6/25/03		.XXX±.0020/0.XXX±0.051				RIGHT ANGLE SOLDER HEADER		
C	DG05-0240	GuoJM	07/27/05	angles	0°±		INCH/MM		product family		
D	DG06-0014	JMG	01/10/06	dr	M. MOSTOLLER	5/7/03	scale		PwrBlade		
				enrg	M. MOSTOLLER	5/7/03	1:1		code		
				chr	H. BREWBAKER	5/7/03			size		
				appd	M. MOSTOLLER	5/7/03			dwg no		
sheet index		revision sheet		D	D	D	D	A		51939-062	
1		2		D	D	D	D			213	
1		2		D	D	D	D			sheet 1 of 4	

Tous droits strictement réservés. Reproduction ou communication o des liers interdite sous quelque forme que ce soit sans autorisation écrite du propriétaire. Propriété de c FCI. Droits de reproduction FCI.

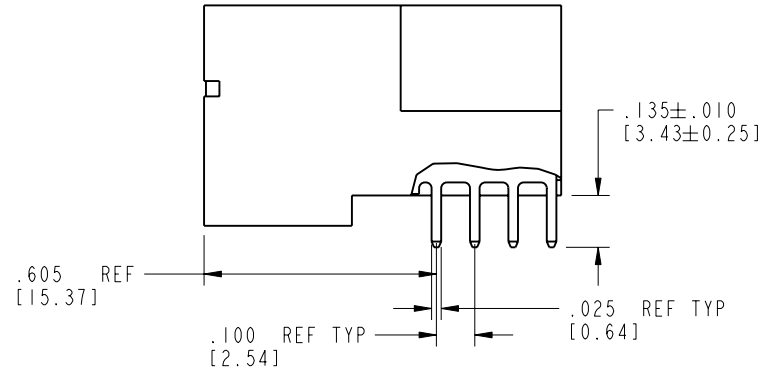
All rights strictly reserved. Reproduction or issue to third parties in any form, whatever is not permitted without written authority from the proprietor. Property of FCI. Copyright FCI.

PRODUCT NUMBER

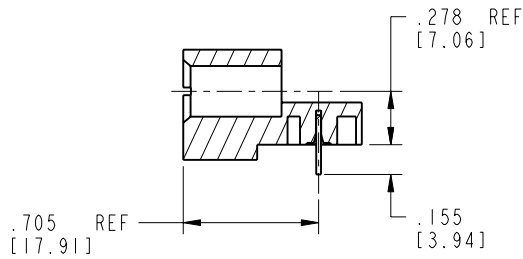
51939-062--  
NOTE: 3



BROKEN-OUT SECTION A-A  
SCALE 2:1



BROKEN-OUT SECTION B-B  
SCALE 2:1



SECTION C-C

mat'l code				SEE NOTE 2		tolerances unless otherwise specified		CUSTOMER		 www.fciconnect.com	
lfr	ecn no.	dr	date	linear	.XX±.01/0.X±0.3		COPY		 INCH/MM	title	
D					.XXX±.005/0.XX±0.13		projection			12P + 20S + 3ACP	
					.XXX±.0020/0.XXX±0.051		 scale			RIGHT ANGLE SOLDER HEADER	
				angles	0°±		 scale		product family		
				dr	M. MOSTOLLER	5/7/03	1:1		PwrBlade		code
				engr	M. MOSTOLLER	5/7/03			size		213
				chr	H. BREWBAKER	5/7/03			dwg no		sheet
				appd	M. MOSTOLLER	5/7/03			A 51939-062		2 of 4
sheet index	revision sheet										

cage code 22526

Pro/E

PDM: Rev:D

STATUS: Released

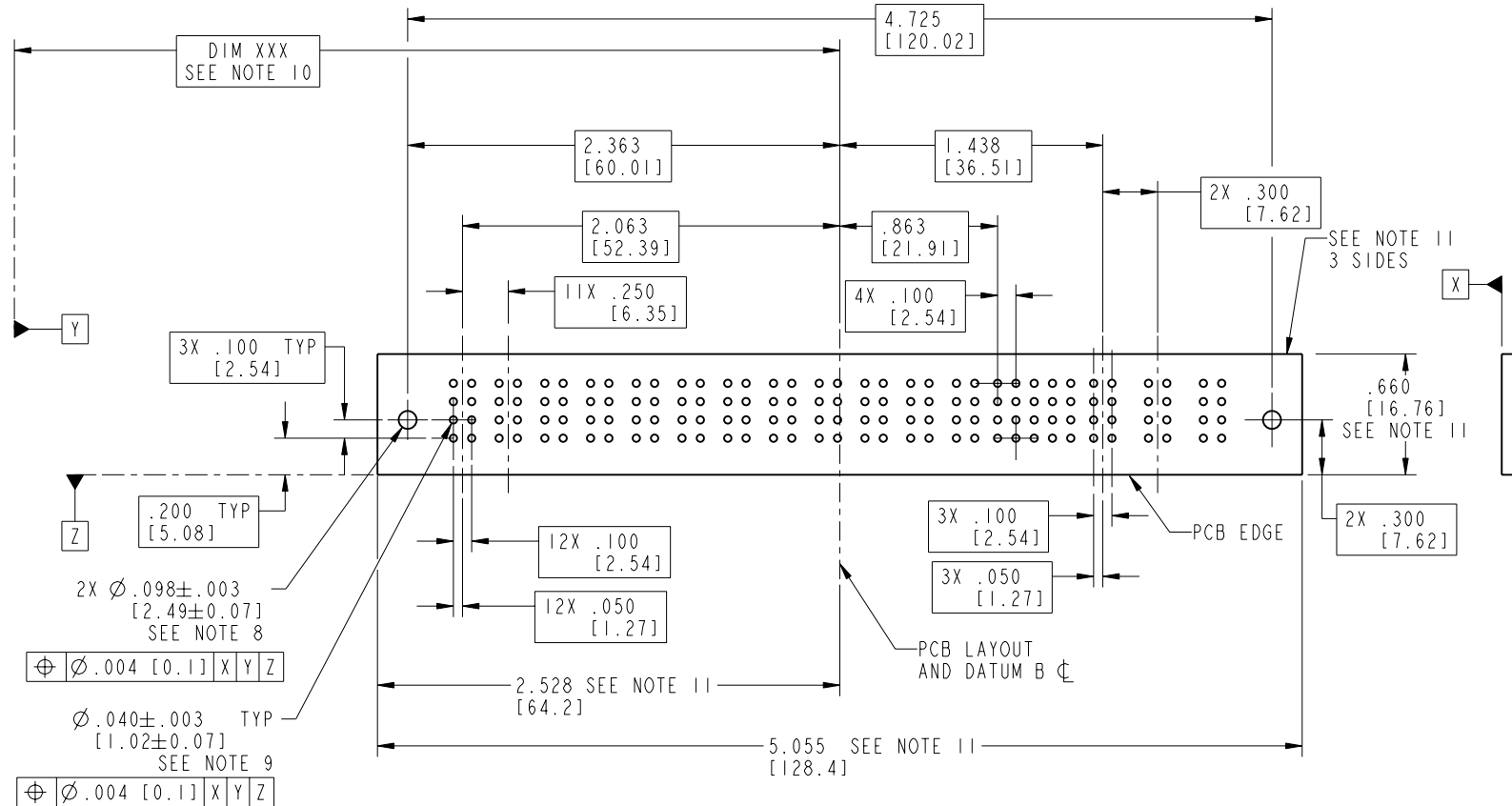
Printed: Aug 14, 2007

Tous droits strictement réservés. Reproduction ou communication o des liers interdite sous quelque forme que ce soit sans autorisation écrite du propriétaire. Propriété de c FCI. Droits de reproduction FCI.

All rights strictly reserved. Reproduction or issue to third parties in any form, whatever is not permitted without written authority from the proprietor. Property of FCI. Copyright FCI.

PRODUCT NUMBER

51939-062--  
NOTE: 3



RECOMMENDED PCB LAYOUT

mat'l code				SEE NOTE 2		tolerances unless otherwise specified		CUSTOMER		 www.fciconnect.com	
lfr	ecn no.	dr	date	linear	.XX±.01/0.X±0.3		COPY		 title 12P + 20S + 3ACP RIGHT ANGLE SOLDER HEADER		
D					.XXX±.005/0.XX±0.13		 product family PwrBlade code 213		size dwg no A 51939-062		
					angles	.XXX±.0020/0.XXX±0.051		INCH/MM scale 1:1		sheet 3 of 4	
				dr	M. MOSTOLLER	5/7/03					
				enrg	M. MOSTOLLER	5/7/03					
				chr	H. BREWBAKER	5/7/03					
				appd	M. MOSTOLLER	5/7/03					
sheet index	revision sheet										

cage code 22526

Pro/E

PDM: Rev:D

STATUS: Released

Printed: Aug 14, 2007

Tous droits strictement réservés. Reproduction ou communication o des liers interdite sous quelque forme que ce soit sans autorisation écrite du propriétaire. Propriete de c FCI. Droits de reproduction FCI.



All rights strictly reserved. Reproduction or issue to third parties in any form, whatever is not permitted without written authority from the proprietor. Property of FCI. Copyright FCI.

1 | 2

3 |

4

**PRODUCT NUMBER**

51939-062\_\_  
NOTE: 3

NOTES:

1. DIMENSIONS AND TOLERANCES ARE IN ACCORDANCE WITH ASME Y14.5M, 1994 UNLESS OTHERWISE SPECIFIED.

CONNECTOR NOTES:

- 2. HOUSING MATERIAL: UL 94 V-0 GLASS FILLED HIGH-TEMP THERMOPLASTIC  
POWER CONTACT MATERIAL: COPPER ALLOY  
SIGNAL PIN MATERIAL: COPPER ALLOY
- 3. 51939-062;51939-062LF;51939-062GLF PLATING SPEC. SEE PRINT:10064183
- 4. MANUFACTURER'S NAME, P/N, AND DATE CODE TO APPEAR ON THIS SURFACE.
- 5. PRODUCT SPECIFICATION GS-12-149.  
APPLICATION SPECIFICATION BUS-20-067.
- 6. PACKAGED IN TRAYS.

PCB NOTES:

- 7. ALL HOLE DIAMETERS ARE FINISHED HOLE SIZE.
- 8. MOUNTING HOLES, WHERE APPLICABLE, ARE UNPLATED.
- 9.  $\varnothing .0453 \pm .0010$  [1.151 $\pm$ 0.025] DRILLED HOLES PLATED WITH .0003 [0.008] MIN SnPb OVER .001 [0.03] TO .003 [0.08] Cu PLATING TO ACHIEVE  $\varnothing .040 \pm .003$  [1.02 $\pm$ .07] HOLE.
- 10. "DIM XXX" TO BE DETERMINED BY THE CUSTOMER.
- 11. CONNECTOR KEEP-OUT ZONE.

mat'l code		SEE NOTE 2		tolerances unless otherwise specified		CUSTOMER		www.fciconnect.com	
ltr	ecn no.	dr	date	linear	.XX $\pm$ .01/0.X $\pm$ 0.3	COPY			
D				projection	.XXX $\pm$ .005/0.XX $\pm$ 0.13			title 12P + 20S + 3ACP	
				angles	.XXX $\pm$ .0020/0.XXX $\pm$ 0.051			RIGHT ANGLE SOLDER HEADER	
				dr	M. MOSTOLLER 5/7/03	INCH/MM		product family PwrBlade code	
				engr	M. MOSTOLLER 5/7/03			size 213	
				chr	H. BREWBAKER 5/7/03	scale 1:1		sheet	
				appd	M. MOSTOLLER 5/7/03			4 of 4	
sheet index		revision sheet							

1 | 2

Pro/E

3 |

cage code 22526

4